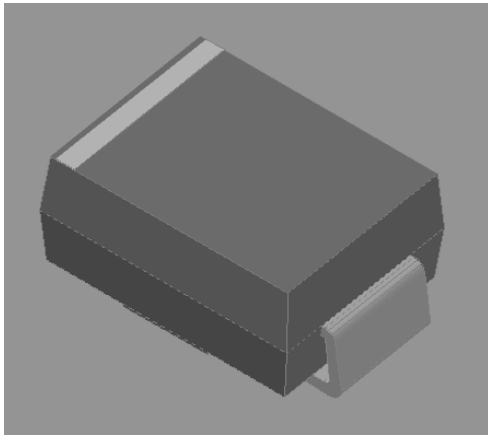




Surface Mount Super Fast Recovery Rectifier

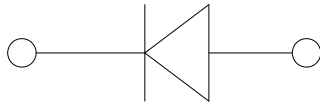


Features

- Low profile package
- Ideal for automated placement
- Glass passivated chip protection
- High forward surge capability
- Super Fast reverse recovery time
- Meets MSL level 1 per J-STD-020 and LF maximum peak of 260°C

Typical Applications

For use in high frequency rectification of power supplies, inverters, converters, and freewheeling diodes for consumer and telecommunication.



Mechanical Data

- Package: DO-214AA (SMB)
- Molding compound meets UL-94V-0 flammability rating, RoHS-compliant, halogen-free
- Terminals: Tin plated leads, solderable per J-STD-020 and JESD22-B1
- Polarity: Cathode line denotes the cathode end

Maximum Ratings (Ta = 25°C)

Parameter	Symbol	Unit	5V	15V	20V	25V	30V	40V	50V
Maximum Repetitive Peak Reverse Voltage	VRRM	V	5	15	20	25	30	40	50
Maximum RMS Voltage	VRMS	V	5	15	20	25	30	40	50
Maximum DC Blocking Voltage	VDC	V	5	15	20	25	30	40	50
Average rectified output current 40% duty cycle sine wave, resistance load, TL (Fig.1)	IO	A	2						
Forward Surge Current (Non-repetitive) 40% duty cycle Half-sine wave, 1 cycle, Ta = 25°C	IFSM	A	5						
Forward Surge Current (Non-repetitive) 4ms square wave, 1 cycle, Ta = 25°C			1						
Current squared time 4ms @ 25°C, 1ms @ 125°C	I²t	A²s	1.5 + 5						
Storage temperature	Tstg		-55 to 150						
Junction temperature	Tj		-55 to 150						



UG2A THRU UG2J

Electrical Characteristics Ta 125 Unless otherwise specified

PARAMETER	SYMBOL	UNIT	TEST CONDITIONS	UG2A	UG2B	UG2C	UG2D	UG2F	UG2G	UG2H	UG2J
Maximum instantaneous forward voltage	V _F	V	I _F 1.2 A	1.2				1.25		1.4	
Maximum reverse recovery time	t _{rr}	ns	I _F 1.5 A, I _R 1.25 A I _F 1.25 A	25						35	
Maximum DC reverse current at rated DC blocking voltage	I _R	mA									



UG2A THRU UG2J

Thermal Characteristics T_a 1 25 Unless otherwise specified

PARAMETER	SYMBOL	UNIT	UG2A	UG2B	UG2C	UG2D	UG2F	UG2G	UG2H	UG2J
-----------	--------	------	------	------	------	------	------	------	------	------

Typical Thermal resistance



UG2A THRU UG2J

.....

Ordering Information (Example)

PREFERRED P/N	PACKING CODE	UNIT WEIGHT(g)	MINIMUM PACKAGE(pcs)	INNER BOX QUANTITY(pcs)	OUTER CARTON QUANTITY(pcs)	DELIVERY MODE
---------------	--------------	----------------	----------------------	-------------------------	----------------------------	---------------

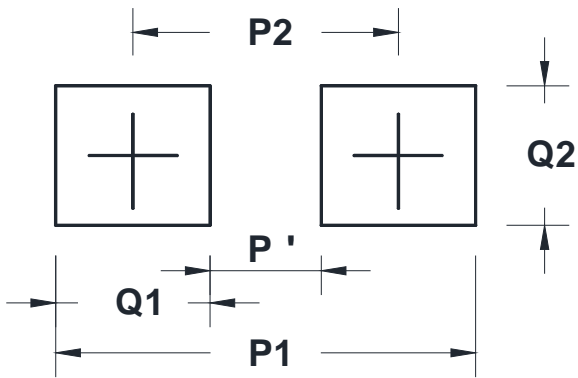
(# * .

G! G* * & MU b [n \ c i MU b [W]HY W\ b W/h f ě m]7 c " žk@hkX "& %mU b [^]
F Y j " & " - ž & \$! G Y d! & & .



UG2A THRU UG2J

Suggested pad layout



Dimensions in millimeters

DO-214AA(SMB)	
Dim	Millimeters
P1	*, . ,
P2	4. '
P'	1. ,
Q1	2.5
Q2	2. '



UG2A THRU UG2J

Disclaimer

The information presented in this document is for reference only. Yangzhou Yangjie Electronic Technology Co., Ltd. reserves the right to change the information without notice.

* # * *

G! G* * & ' MU b [n \ c i ' MU b [W]HY W\ b W/h f e m]7 c " žk@hkX "& %mU b [^]
F Y j " & " - ž & \$! G Y d! & & '